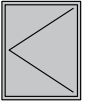
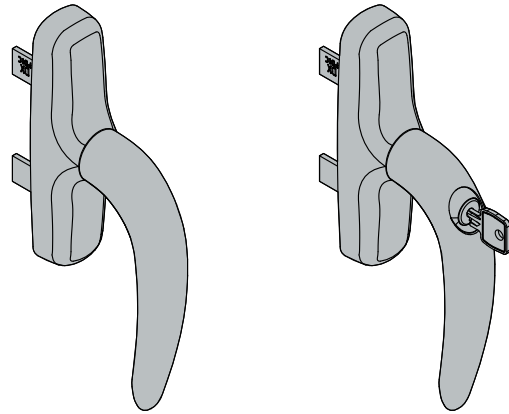


CREMONE BOLT

NEFER

Art. 0790B
Art. 0791B

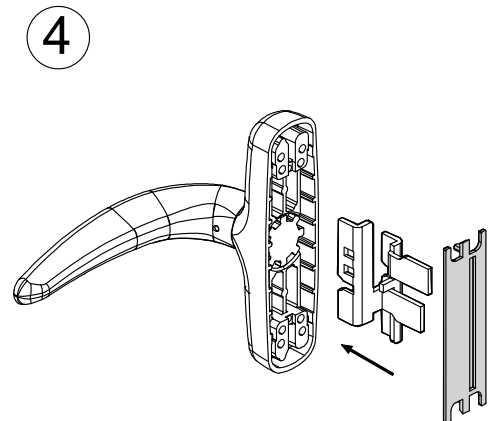
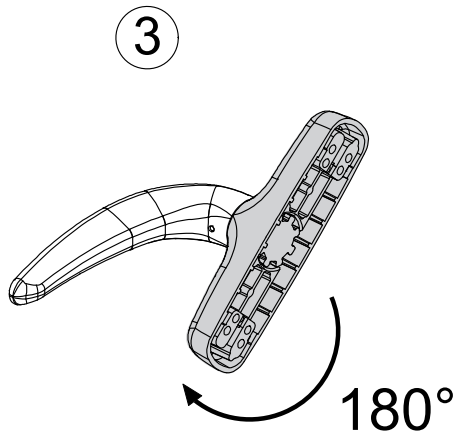
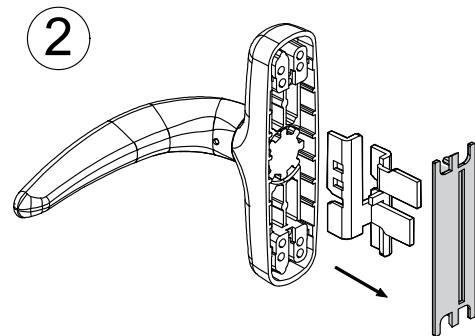
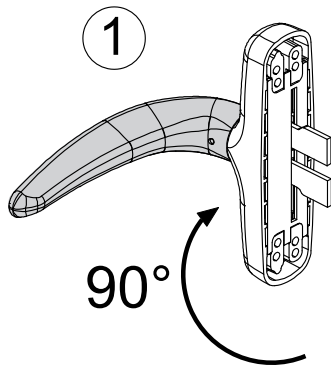
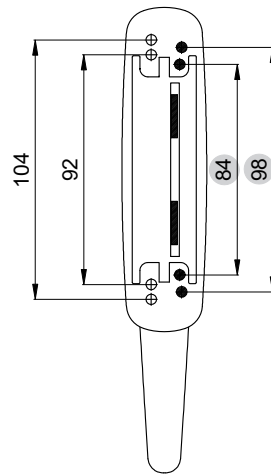
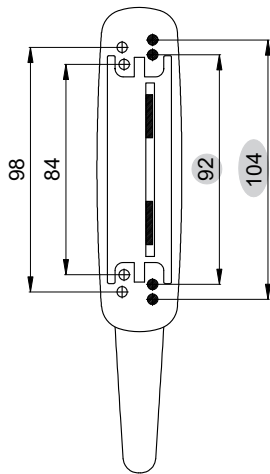


fapim[®]

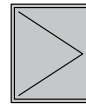
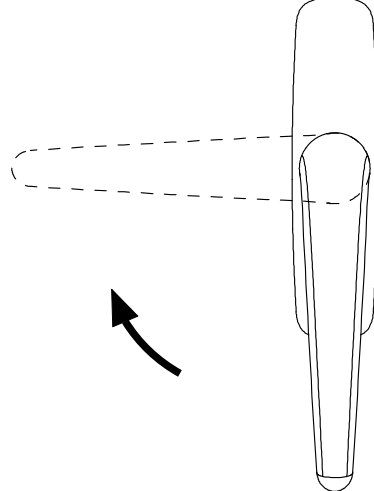
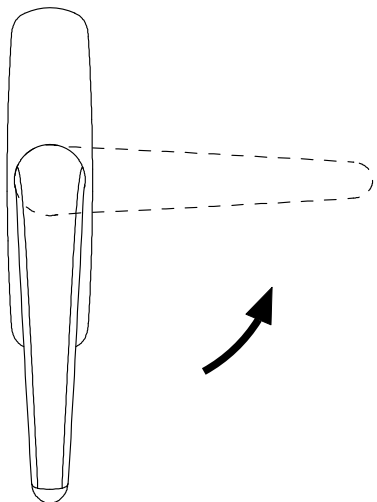
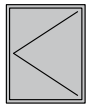
Life in evolution

ULBQ - Rev.01

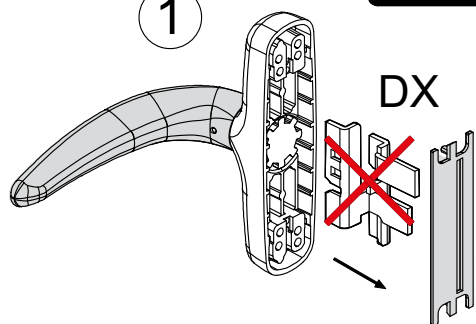
Standard



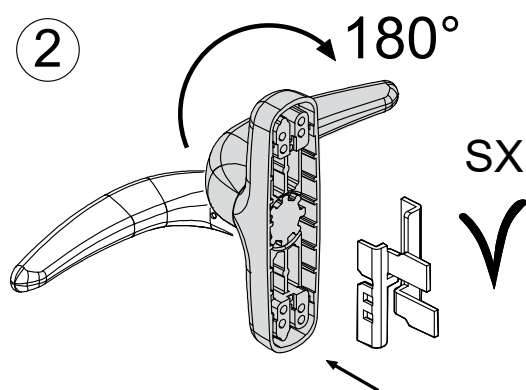
fapim[®]
Life in evolution



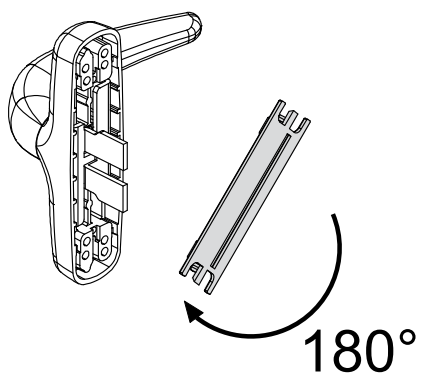
1



2



3



4

